



BERG GO-KART

XXL Frame E-BFR



BERG XXLFrame E-BFR + all related themes

The *ultimate* quality go-kart!

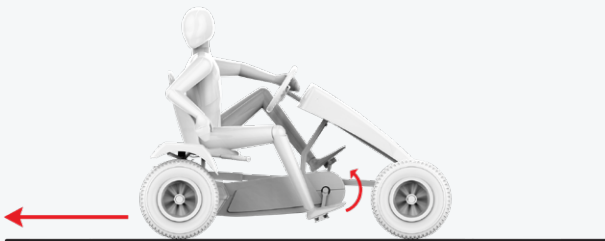
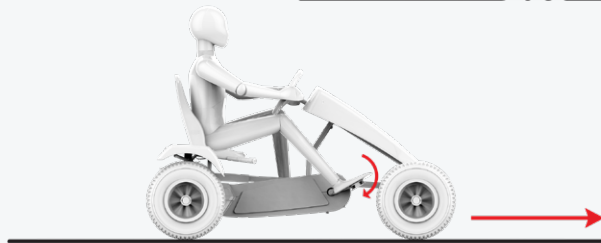
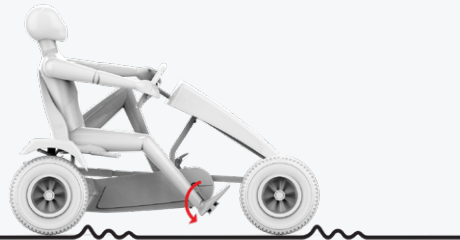
years **6+**
125 to 210 cm



WHY A BERG GO-KART?

Inspiring Active Play

Would you like to have carefree driving fun with pedal support? If so, we have got an innovative BERG E-go-kart for you. Superhard acceleration? Or do you prefer driving around comfortably and with ease? On grass or off-road? All this is now possible. The harder you pedal, the more support you will get from the motor. You can even reach speeds of 16 km per hour! In short, the harder you pedal your go-kart, the more the reward.



1. E-BFR SYSTEM

The E-Go-karts are equipped with a 250W E-Motor delivering pedal support. There are 4 different levels of assistance: ECO, TOUR, SPORT and TURBO.

You can ride around for 2 hours in these go-karts, without having to recharge the battery. The E-Go-kart can reach speeds of up to 16 km per hour. Children from the age of 6 can enjoy years of fun with this go-kart!

BFR stands for: Brake, Freewheel and Reverse. The BFR system allows you to brake using the pedals, but also reverse immediately after coming to a standstill. In addition, the freewheel ensures that the pedals remain stationary while the wheels are turning. This happens completely automatically, without having to shift gears. The back-pedal brakes allow you to brake hard and fast.

It can be hard for children to keep their feet on the pedals in a controlled way at high speeds or when unexpected things happen. Due to the freewheel, the pedals stop turning as soon as the driver of the pedal go-kart stops pedaling. All this ensures a safe pedal go-kart that children and older people can have a lot of fun with.

*The ultimate
quality go-kart!*





2. XXL FRAME

The E-Skelter has the XXL Frame. The XXL Frame was developed so that everyone can enjoy a pedal cart. This frame was developed especially for tall people. The frame is 10 centimeters longer than the XL Frame and has 8 seat positions instead of 6.

This frame is also reinforced, which makes it even stronger than an XL Frame.



The *ultimate*
quality go-kart!





3. INNOVATIVE FEATURES

The BERG E-Go-kart comes with a display, a torque sensor and a removable battery. What's nicer than a fast race to see how hard you can go? The BERG E-Go-kart also comes with a display. This illuminated screen tells you how fast you are going, how much you have ridden and how much battery power you have left. The 24V/240Wh battery is removable which makes it easy to charge.



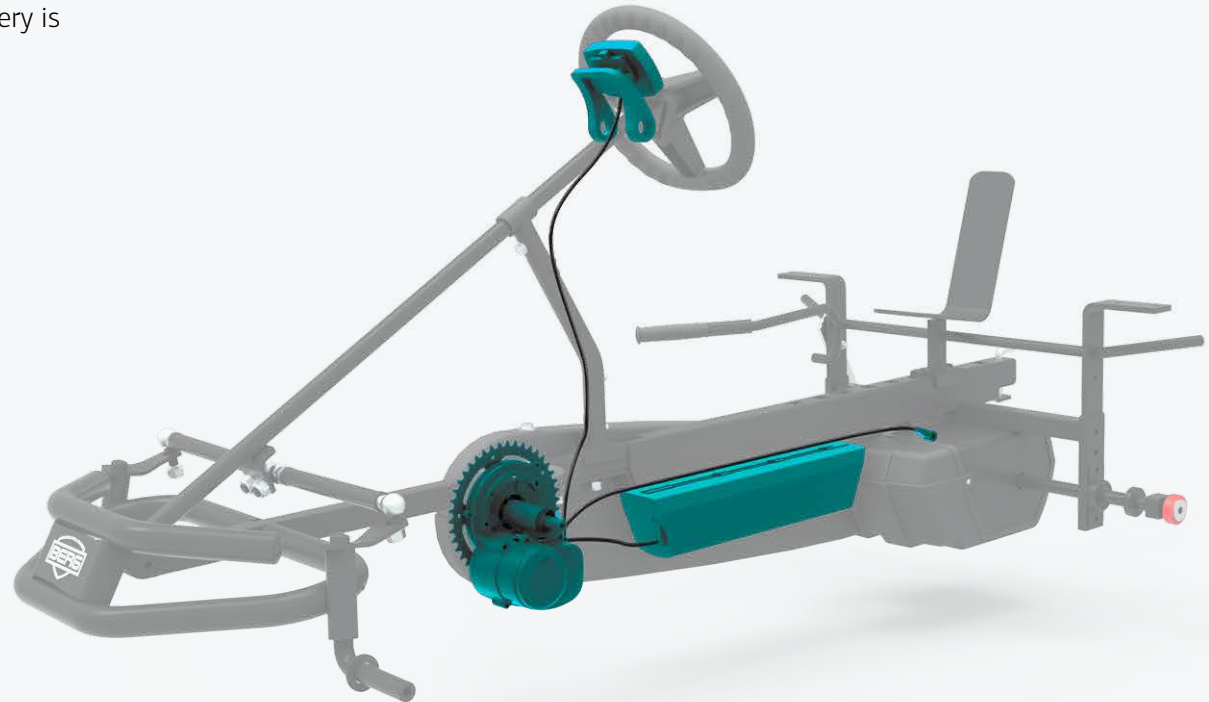
250W middle engine
with torque
sensor



Display with
speedometer, distance
meter, and battery
capacity



24V/240Wh
removable battery



The *ultimate*
quality go-kart!



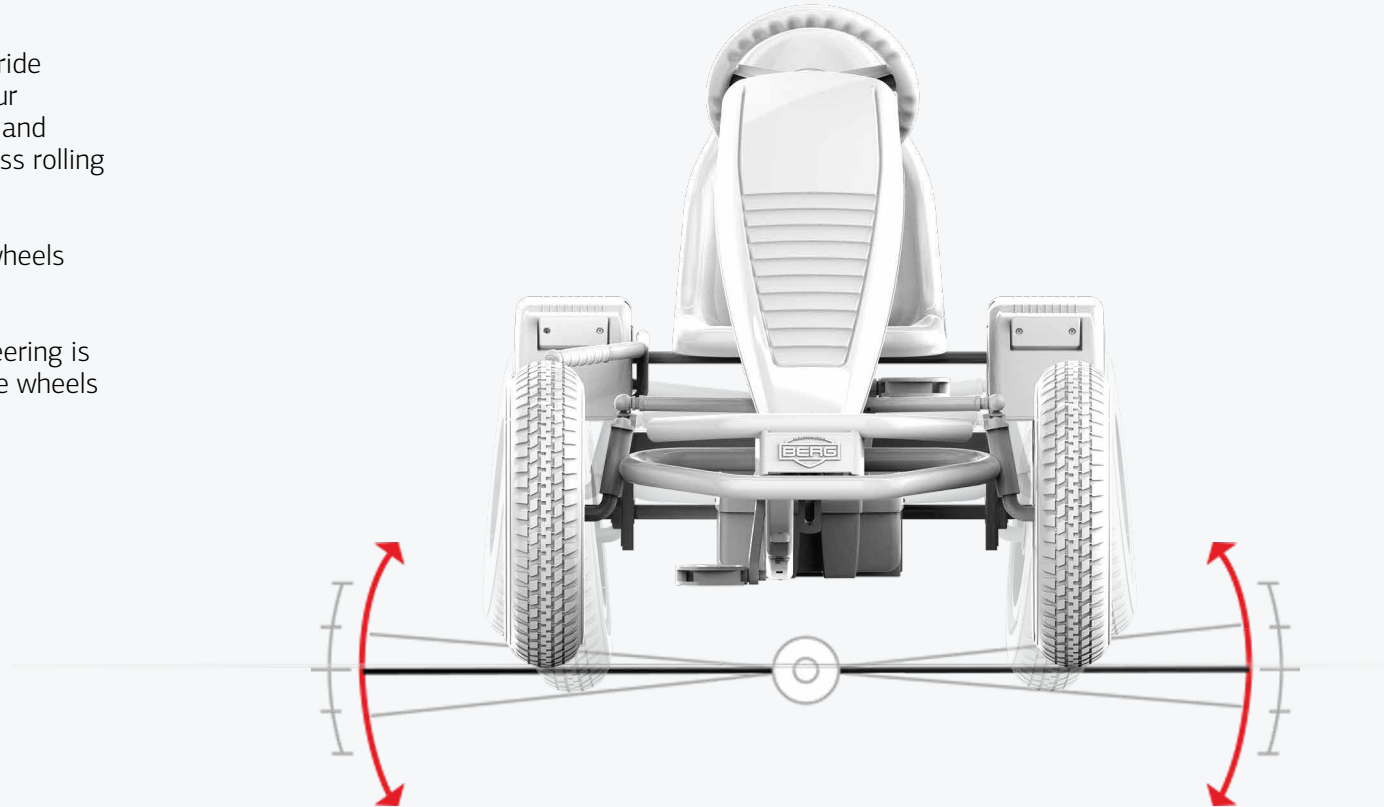


4. COMFORTABLE DRIVING

BERG Pedal go-karts have several features that enable you to ride around very comfortably. To start with, the pedal carts have four pneumatic tires. Pneumatic tires ensure more grip on the road and make your ride more comfortable. Pneumatic tires also have less rolling resistance than solid tires, which allows you to drive faster.

The swing axles of the pedal cart ensures that all four of the wheels are always touching the ground, even on uneven terrains.

Due to the double ball bearings of the steering mechanism, steering is light and supple and you are very agile. The roller bearing in the wheels ensure that you can play for a long time without getting tired.

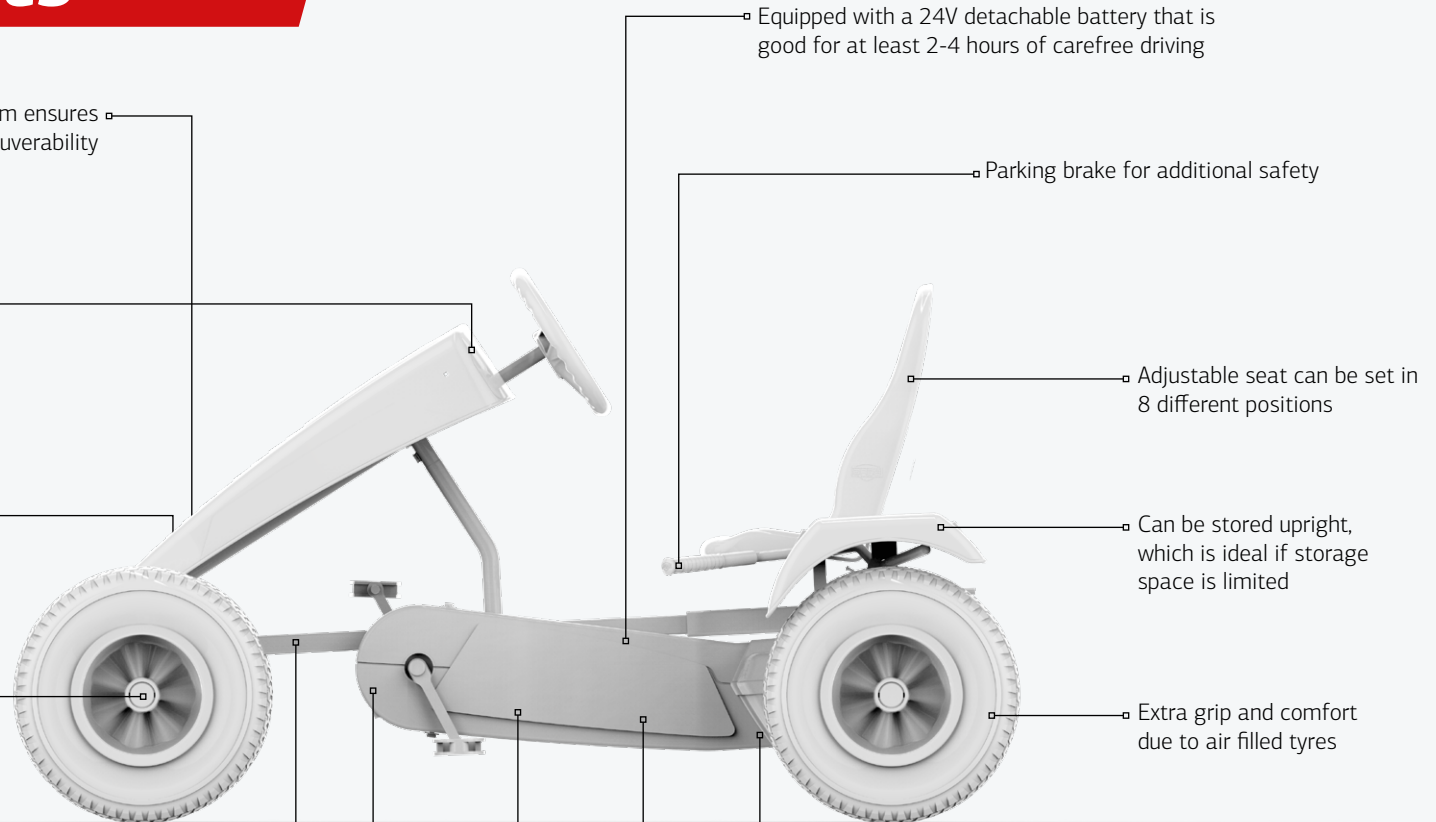


The *ultimate*
quality go-kart!





5. CHARACTERISTICS



The double ball-bearing steering mechanism ensures accurate steering and easy maneuverability

Equipped with LCD Display, including speedometer, rangefinder and battery capacity. Easily charge your phone via the USB port below the display

Perfect road holding and stability thanks to the swing axle

The wheels run fast and smooth due to the roll-bearing wheels

The frame is extra reinforced which makes it even stronger

The chain guard is designed to give easy access to the chains and hub within, to more easily perform maintenance

Equipped with a 24V detachable battery that is good for at least 2-4 hours of carefree driving

Parking brake for additional safety

Adjustable seat can be set in 8 different positions

Can be stored upright, which is ideal if storage space is limited

Extra grip and comfort due to air filled tyres

Equipped with a 250W motor

Equipped with the E-BFR System. The harder you pedal, the more support the mid-engine with torque sensor will give

The go-kart has 4 levels of support: ECO, TOUR, SPORT and TURBO





07.45.22.00

BERG XXL B.SUPER BLUE E-BFR

Inspiring Active Play

Do you want the most comprehensive classic? Then choose the BERG XXL B. Super Blue E-BFR. This cool go-kart in a blue jacket has mudguards with reflection and a nice hood on the front. The swing axle ensures that you can also drive safely on non-flat surfaces.



Weight product: 54 kg
Packaging dimensions Weight+box
Frame: 112x40x58 42.3 kg
Theme: 58x31.5x100 20.6 kg

years

6+

125 to 210 cm

BERGTOYS.COM

EAN-CODE: **8715839079067**



07.45.23.00

BERG XXL B.SUPER RED E-BFR

Inspiring Active Play

Do you want the most comprehensive classic? Then choose the BERG XXL B. Super Red E-BFR. This cool go-kart in a red jacket has mudguards with reflection and a nice hood on the front. The swing axle ensures that you can also drive safely on non-flat surfaces.



Weight product: 54 kg
Packaging dimensions Weight+box
Frame: 112x40x58 42.3 kg
Theme: 58x31.5x100 20.6 kg

years

6+

125 to 210 cm

BERGTOYS.COM

EAN-CODE: **8715839079074**



07.45.24.00

BERG XXL B.SUPER YELLOW E-BFR

Inspiring Active Play

Do you want the most comprehensive classic? Then choose the BERG XXL B. Super Yellow E-BFR. This cool go-kart in a yellow jacket has mudguards with reflection and a nice hood on the front. The swing axle ensures that you can also drive safely on non-flat surfaces.



Weight product: 54 kg
Packaging dimensions Weight+box
Frame: 112x40x58 42.3 kg
Theme: 58x31.5x100 20.6 kg

years

6+

125 to 210 cm

BERGTOYS.COM

EAN-CODE: **8715839079081**



07.45.08.01

BERG XXL X-CROSS E-BFR

Inspiring Active Play

With its sturdy looks, this go-kart looks solid, and it sure is solid! This kart is designed for great outdoor adventures. With the five-spoke rim and air filled tyres you can easily drive through the mud. An extra spatter doesn't matter. The tyres spin smoothly thanks to the ball bearings. Therefore your kart drives light. That enables you to have long and serious adventures outside!



With the E-BFR system you can discover the world for hours. The harder you pedal, the more support the E-Motor gives



Weight product: 54.9 kg
Packaging dimensions Weight+box
Frame: 112x40x58 42.3 kg
Theme: 58x31.5x100 22.4 kg

years

6+

125 to 210 cm

BERGTOYS.COM

EAN-CODE: **8715839070132**



07.45.03.00

BERG XXL X-PLORE E-BFR

Inspiring Active Play

Asphalt and concrete is not what you want. You prefer off-road. Forest, fields, all rough and undiscovered terrains. That is possible with this kart! The special off-road tyres, combined with the swing axle give you an optimal grip on rough terrain. Thanks to the unique E-BFR system you can brake easily, and stop in case an elephant blocks the road. You can always drive backwards when the road is blocked by a tree trunk, a waterfall or a wild river.



The swing axle keep you grounded firmly and safely

With the E-BFR system you can discover the world for hours. The harder you pedal, the more support the E-Motor gives



Weight product: 56.6 kg
Packaging dimensions Weight+box
Frame: 112x40x58 42.3 kg
Theme: 58x41.5x100 24.1 kg

years **6+**
125 to 210 cm



07.45.17.00

BERG XXL X-ITE E-BFR

Inspiring Active Play

BERG has designed the BERG X-ite E-BFR especially for lovers of cool go-karts. The graphics are inspired by off-road motorcycles and give the go-kart its cool appearance. Details, such as the extra cool sticker on the frame, make the go-kart complete.



Weight product: 63.2 kg

Packaging dimensions

Frame: 112x40x58

Theme: 58x41.5x100

years

6+

125 to 210 cm

BERGTOYS.COM

EAN-CODE: **8715839072792**



07.46.06.00

JEEP® REVOLUTION PEDAL GO-KART XXL E-BFR

Inspiring Active Play

From now on you can tackle anything, because the Jeep® Revolution pedal go-kart will never let you down! This tough go-kart has real off-road tyres. Combined with the swing axle, you are sure to have grip on every rough terrain. Because of the adjustable seat, even your parents will be able to enjoy riding (if you let them). With the adjustable steering bars you can align your wheels for a perfect alignment.

BERG also offers a spare wheel. If you use this one, you will never face any unpleasant surprises.



Official Jeep® licensed product

E-BFR Series - the harder you pedal the more support the middle engine gives



Jeep, the Jeep grille and related logos, vehicle model names and trade dress are trademarks of FCA US LLC and used under license by BERG Toys. ©2021 FCA US LLC.



Weight product: 56.1 kg
Packaging dimensions Weight+box
Frame: 112x40x58 42.3 kg
Theme: 58x41.5x100 23.6 kg

years

6+

125 to 210 cm

BERGTOYS.COM

EAN-CODE: **8715839063431**



07.45.14.00

BERG XXL RACE GTS E-BFR

Inspiring Active Play

How long have you been dreaming about a real racing car? Everyone will turn their heads to look at you in this cool BERG Race GTS E-BFR; if they get the chance that is, because you will soon be tearing off again! Thanks to the pneumatic tyres and aerodynamic spoiler you are guaranteed high speeds. Make your go-kart look even better by adding various accessories.

The special racing tyres give you the ultimate racing sensation



The BERG Race GTS E-BFR is designed for speed. Your go-kart will go super fast due to the support the E-BFR System gives



Weight product: 59.6 kg
Packaging dimensions Weight+box
Frame: 112x40x58 42.3 kg
Theme: 58x41.5x100 26.6 kg

years

6+

125 to 210 cm

BERGTOYS.COM

EAN-CODE: **8715839067682**



07.45.05.00

BERG XXL BLACK EDITION E-BFR

Inspiring Active Play

With its outstanding design elements the Black Edition is a special car for unique children. The sturdy, large tyres can handle every surface. The dark color enables you to have undercover adventures. With the aerodynamic spoiler and air filled tyres, you are quicker than everyone else. So no one can catch you! Thanks to roll bearings and ball bearing steering mechanism, you make almost no noise. Nobody will hear you during your special missions.



▣ Aerodynamic spoiler and fenders

▣ Very robust frame making it even suitable for professional use



Weight product: 55 kg
Packaging dimensions Weight+box
Frame: 112x40x58 42.3 kg
Theme: 58x31.5x100 22.5 kg

years

6+

125 to 210 cm

BERGTOYS.COM

EAN-CODE: **8715839063349**



07.45.09.00

BERG XXL HYBRID E-BFR

Inspiring Active Play

Would you like to have carefree driving fun with pedal support? If so, we have got an innovative BERG E-go-kart for you. Superhard acceleration? Or do you prefer driving around comfortably and with ease? On grass or off-road? All this is now possible. The harder you pedal, the more support you will get from the motor. You can even reach speeds of 16 km per hour! In short, the harder you pedal your go-kart, the more the reward.



Comfortable seat

E-BFR Series - the harder you pedal the more support the middle engine gives you



Weight product: 62.3 kg

Packaging dimensions Weight+box

Frame: 112x40x58 42.3 kg

Theme: 58x41.5x100 29.8 kg

years

6+

125 to 210 cm

BERGTOYS.COM

EAN-CODE: **8715839064605**



07.46.01.00

BERG XXL CLAAS E-BFR

Inspiring Active Play

Especially on the farm you can find the freedom and space to enjoy outdoor adventures. This BERG CLAAS E-BFR pedal go kart will support you during these adventures. It is an officially licensed product and the design is based on real CLAAS tractors. It is equipped with impressive rugged tyres which have extreme grip on muddy surfaces. The coloring, decals and exhaust pipe make this kart a real CLAAS for the young farmer and CLAAS fan.



Weight product: 62.6 kg
Packaging dimensions Weight+box
Frame: 112x40x58 42.3 kg
Theme: 58x41.5x100 30.6 kg

years

6+

125 to 210 cm

CLAAS

BERGTOYS.COM

EAN-CODE: 8715839063387



07.46.00.00

BERG XXL JOHN DEERE E-BFR

Inspiring Active Play

Especially on the farm you can find the freedom and space to enjoy outdoor adventures. This BERG John Deere E-BFR pedal go kart will support you during these adventures. It is an officially licensed product and the design is based on real John Deere tractors. It is equipped with impressive rugged tyres which have extreme grip on muddy surfaces. The coloring, decals and exhaust pipe make this kart a real John Deere for the young farmer and John Deere fan.

The BERG John Deere grows with you due to the adjustable seat



E-BFR Series - the harder you pedal the more support the middle engine gives you



Weight product: 62.6 kg
 Packaging dimensions Weight+box
 Frame: 112x40x58 42.3 kg
 Theme: 58x41x100 30.6 kg

years

6+

125 to 210 cm

BERGTOYS.COM

EAN-CODE: **8715839063370**



07.46.02.00

BERG XXL CASE IH E-BFR

Inspiring Active Play

Especially on the farm you can find the freedom and space to enjoy outdoor adventures. This BERG Case IH E-BFR pedal go kart will support you during these adventures. It is an officially licensed product and the design is based on real Case IH tractors. It is equipped with impressive rugged tyres which have extreme grip on muddy surfaces. The coloring, decals and exhaust pipe make this kart a real Case IH for the young farmer and Case IH fan.

The double ball bearings in the steering system make this go-kart extremely light to steer



Comes with a cool registration plate



Weight product: 62.6 kg
 Packaging dimensions Weight+box
 Frame: 112x40x58 42.3 kg
 Theme: 58x41.5x100 30.6 kg

years

6+

125 to 210 cm

BERGTOYS.COM

EAN-CODE: **8715839063394**



07.46.04.00

BERG XXL FENDT E-BFR

Inspiring Active Play

Especially on the farm you can find the freedom and space to enjoy outdoor adventures. This BERG Fendt E-BFR pedal go kart will support you during these adventures. It is an officially licensed product and the design is based on real Fendt tractors. It is equipped with impressive rugged tyres which have extreme grip on muddy surfaces. The coloring, decals and exhaust pipe make this kart a real Fendt for the young farmer and Fendt fan.

All BERG Farm models come equipped with an exhaust pipe



With the E-BFR system you can discover the world for hours. The harder you pedal, the more support the E-Motor gives



Weight product: 62.6 kg
 Packaging dimensions Weight+box
 Frame: 112x40x58 42.3 kg
 Theme: 58x41.5x100 30.6 kg

years **6+**
125 to 210 cm

BERGTOYS.COM

EAN-CODE: **8715839063417**



07.46.03.00

BERG XXL NEW HOLLAND E-BFR

Inspiring Active Play

Especially on the farm you can find the freedom and space to enjoy outdoor adventures. This BERG New Holland E-BFR pedal go kart will support you during these adventures. It is an officially licensed product and the design is based on real New Holland tractors. It is equipped with impressive rugged tyres which have extreme grip on muddy surfaces. The coloring, decals and exhaust pipe make this kart a real New Holland for the young farmer and New Holland fan.



Adjustable seat

Equipped with real tractor tyres



Weight product: 62.4 kg
Packaging dimensions Weight+box
Frame: 112x40x58 42.3 kg
Theme: 58x41.5x100 30.4 kg

years

6+

125 to 210 cm



07.46.05.00

BERG XXL DEUTZ-FAHR E-BFR

Inspiring Active Play

Especially on the farm you can find the freedom and space to enjoy outdoor adventures. This BERG DEUTZ-FAHR E-BFR pedal go kart will support you during these adventures. It is an officially licensed product and the design is based on real DEUTZ-FAHR tractors. It is equipped with impressive rugged tyres which have extreme grip on muddy surfaces. The coloring, decals and exhaust pipe make this kart a real DEUTZ-FAHR for the young farmer and DEUTZ-FAHR fan.



The four wheels and swing axle keep you grounded firmly and safely

E-BFR Series - the harder you pedal the more support the middle engine gives you



Weight product: 62.6 kg
 Packaging dimensions Weight+box
 Frame: 112x40x58 42.3 kg
 Theme: 58x41.5x100 30.6 kg

years

6+

125 to 210 cm

BERGTOYS.COM

EAN-CODE: **8715839063424**



BERG LRO ACCESSORIES

Inspiring Active Play

Accessory	Art. nr.	Netto weight	Tare weight	Gross depth
1 BERG Front mudguards black	15.03.32.00	1 kg	0.01 kg	32x11x18
2 BERG Rubber Go-kart bumper (for XL Frame)	15.08.28.01	3.3 kg	0.1 kg	20x10x10
3 BERG Support strut	15.09.08.00	1.1 kg	0.1 kg	20x10x10
4 BERG Light set	15.20.45.00	0.57 kg	0.58 kg	20x10x10
5 BERG Comfort seat	15.20.54.00	6.3 kg	7 kg	58x22x38
6 BERG Mirror set	15.21.01.00	0.31 kg	0.32 kg	20x10x10
7 BERG Speedometer	15.23.12.01	0.2 kg	0.2 kg	13x9x7.5
8 BERG Horn 2-tones	15.24.02.00	0.23 kg	0.2	20x10x10
9 BERG Flashing light orange on pole	15.24.70.01	1.6 kg	1.94 kg	12x14x119
10 BERG Flashing light orange for roll-bar	15.24.80.01	0.6 kg	0.7 kg	14x11x15
11 BERG Flashing light cover blue	16.24.20.00	0.3 kg	0.31 kg	10x15x10

* Look at our website or specification list which accessory is suitable per go-kart





BERG LRO ACCESSORIES

Inspiring Active Play

Accessory	Art. nr.	Netto weight	Tare weight	Gross depth
1 BERG Rear lifting unit	15.60.30.03	5.7 kg	5.9 kg	42x11x24
2 BERG Front lifting unit	15.60.40.01	5.8 kg	6.5 kg	62x19.5x38.5
3 BERG Roll bar Farm	15.63.01.00	5.2 kg	6.2 kg	52x52x16
4 BERG Roll bar Offroad	15.63.11.00	5.75 kg	6.22 kg	47x16x47
5 BERG Spare wheel X-Plore	15.63.23.00	4.66 kg	5.3 kg	51x46x19
6 BERG Spare wheel Jeep®	15.63.24.00	5.22 kg	5.86 kg	51x46x19
7 BERG Exhaust Farm	15.63.40.00	2.2 kg	2.2 kg	22x17x57
8 BERG License plate kit (for XL Frame)	15.63.42.00	0.8 kg	0.9 kg	12x10x26
9 BERG Side skirts Race GTS	15.63.51.00	5.28 kg	5,68 kg	81x19x27
10 BERG Liftbucket	15.60.50.01	7.79 kg	8.17 kg	58x28x32
11 BERG Pallet fork	15.60.55.01	5.5 kg	6.2 kg	51x60x27
12 BERG Bulldozer blade	15.60.60.01	7.5 kg	8.2 kg	73x17x25

* Look at our website or specification list which accessory is suitable per go-kart





BERG LRO ACCESSORIES

Inspiring Active Play

Accessorie	Art. nr.	Netto weight	Tare weight	Gross depth
1 BERG Trailer XL	18.08.00.00	14.5 kg	17 kg	57x18x90
2 BERG Steel Trailer XL	18.08.02.00	18.2 kg	20.7 kg	57x18x90
3 BERG Tandem Trailer XL	18.08.04.00	19.0 kg	22.6 kg	133x72x42

* Look at our website or specification list which accessory is suitable per go-kart





BERG LRO ACCESSORIES

Inspiring Active Play

Accessorie	Art. nr.	Netto weight	Tare weight	Gross depth
1 BERG Passenger seat Basic/Extra Blue	15.37.00.00	4.6 kg	5.4 kg	56x23x38
2 BERG Passenger seat Jeep®	15.37.01.00	4.6 kg	5.4 kg	56x23x38
3 BERG Passenger seat John Deere	15.37.02.00	4.6 kg	5.4 kg	56x23x38
4 BERG Passenger seat CLAAS	15.37.03.00	4.6 kg	5.4 kg	56x23x38
5 BERG Passenger seat Case IH	15.37.04.00	4.6 kg	5.4 kg	56x23x38
6 BERG Passenger seat New Holland	15.37.05.00	4.6 kg	5.4 kg	56x23x38
7 BERG Passenger seat Fendt	15.37.06.00	4.6 kg	5.4 kg	56x23x38
8 BERG Passenger seat DEUTZ-FAHR	15.37.07.00	4.6 kg	5.4 kg	56x23x38
9 BERG Passenger seat X-Cross	15.37.08.00	4.6 kg	5.4 kg	56x23x38
10 BERG Passenger seat Race GTS	15.37.15.00	4.6 kg	5.4 kg	56x23x38
11 BERG Passenger seat X-Plore	15.37.10.00	4.6 kg	5.4 kg	56x23x38
12 BERG Passenger seat Black Edition	15.37.11.00	4.6 kg	5.4 kg	56x23x38
13 BERG Passenger seat Extra Sport Red	15.37.14.00	4.6 kg	5.4 kg	56x23x38
14 BERG Passenger seat Black	15.37.16.00	4.6 kg	5.4 kg	56x23x38
15 BERG Passenger seat Yellow	15.37.18.00	4.6 kg	5.4 kg	56x23x38

* Look at our website or specification list which accessory is suitable per go-kart

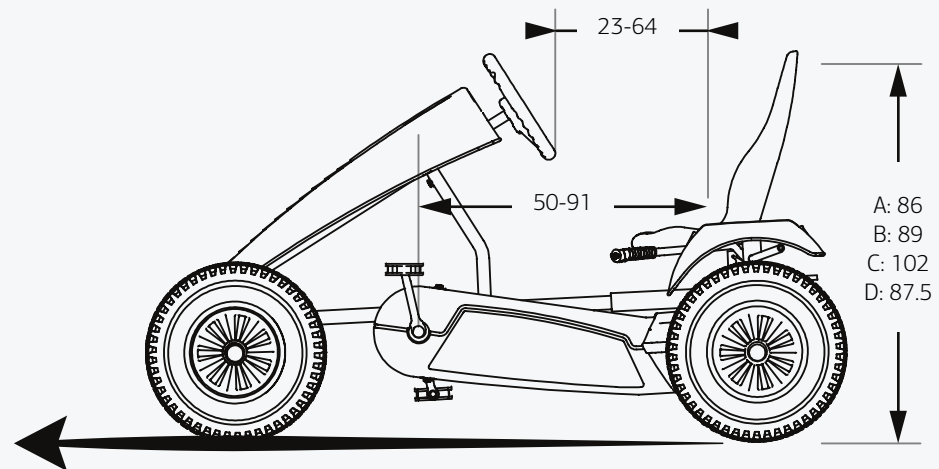
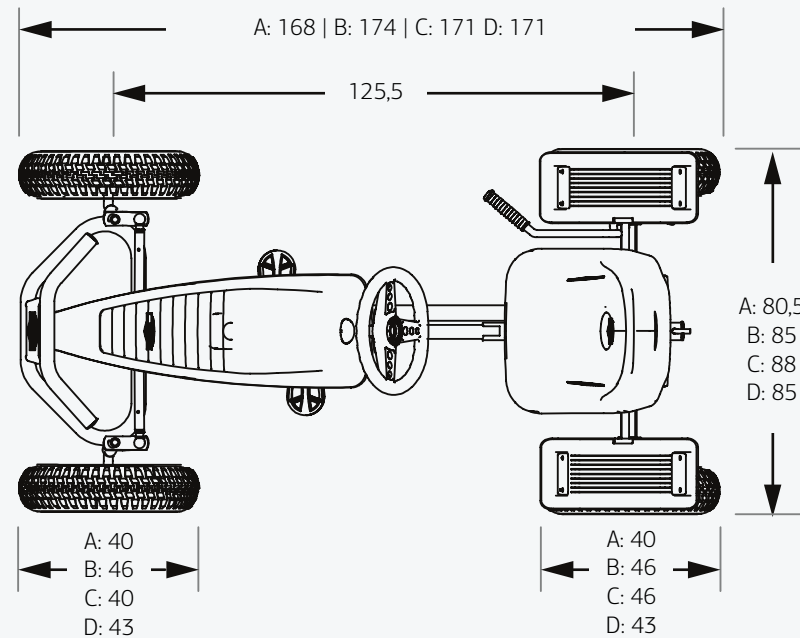
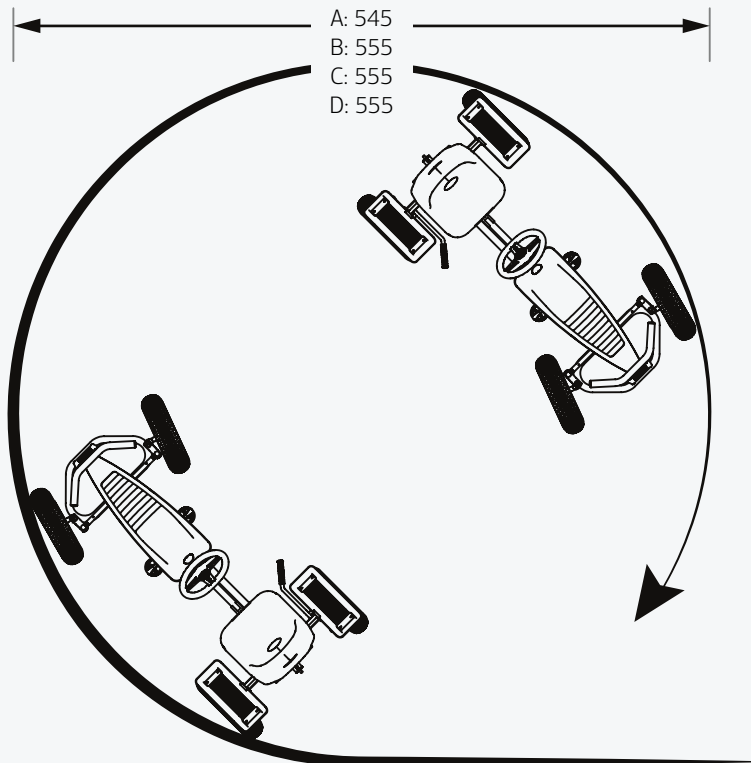




BERG LRO DATA

Inspiring Active Play

All data is applicable on all XL Frame models unless indicated otherwise.
 A: General models | B: Safari | C: Farm models



*All sizes in cm





BERG LRO DATA

Inspiring Active Play

General

Recommended age	6+
Max user height	210 cm
Max user weight	100 kg
Parental supervision required	Yes
Safety mark	CE
Assembly time	<30 min

Warranty

Frame	2 years
Parts	2 years
Tyres	0 years

Technical characteristics

Gears	None
Tyre type	Pneumatic tyres
Frame material	Steel
Forward and backward	Yes
Braking system	BFR
Parking brake	Yes
Transmission	BFR
Ball bearings	Yes
Swing axle	Yes
Adjustable seat	Yes
Adjustable steering wheel	No
Trailer connection	Yes



